

PRODUCT SPECIFICATIONS

MODEL NAME	VOLTS (SINGLE PHASE ONLY)	Hz	RPM	HP	KW	NET WEIGHT		AMPS	CAPACITOR	
						lbs	kg		mf.	VOLTS
XR655-401-N472NX	AC 220	50	1400	1/2	0.38	19.7	8.9	2.7	17.5	450

SOUND LEVEL <70dB(A)

NORMAL AMBIENT 0 °C ~ +40 °C

RELATIVE HUMIDITY 20% - 80%

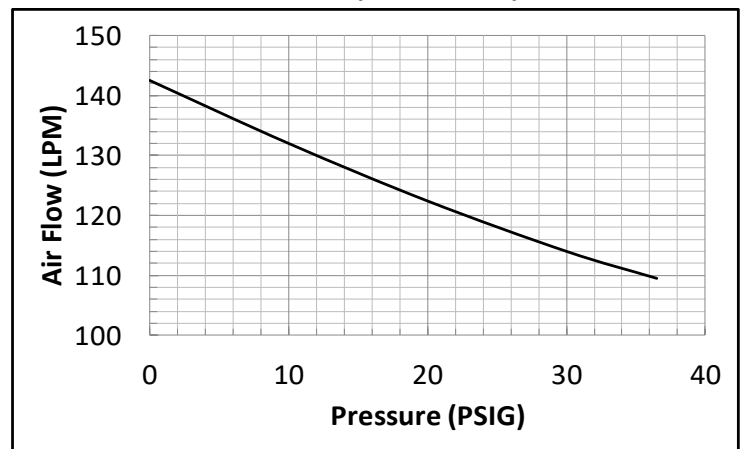
ENVIRONMENT CLEAN DUST FREE

REGULATORY TBD

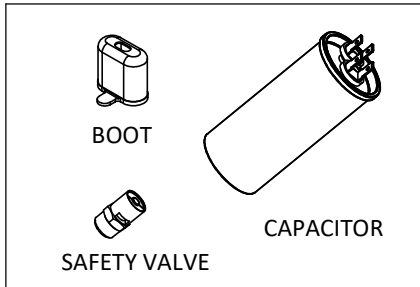
NOTES:

1. ALL DIMENSIONS ARE FOR REFERENCE ONLY;
2. DIMENSION ARE IN INCHS/[MILIMITERS];
3. TECHNICAL DATA SUBJECT TO CHANGE WITHOUT NOTICE;
4. THIS PUMP MUST BE INSTALLED IN AN ENCLOSURE;
5. KIT P/N: K558;
6. SAFETY VALVE DISCHARGE PSI : 43.5 ±3 PSIG.

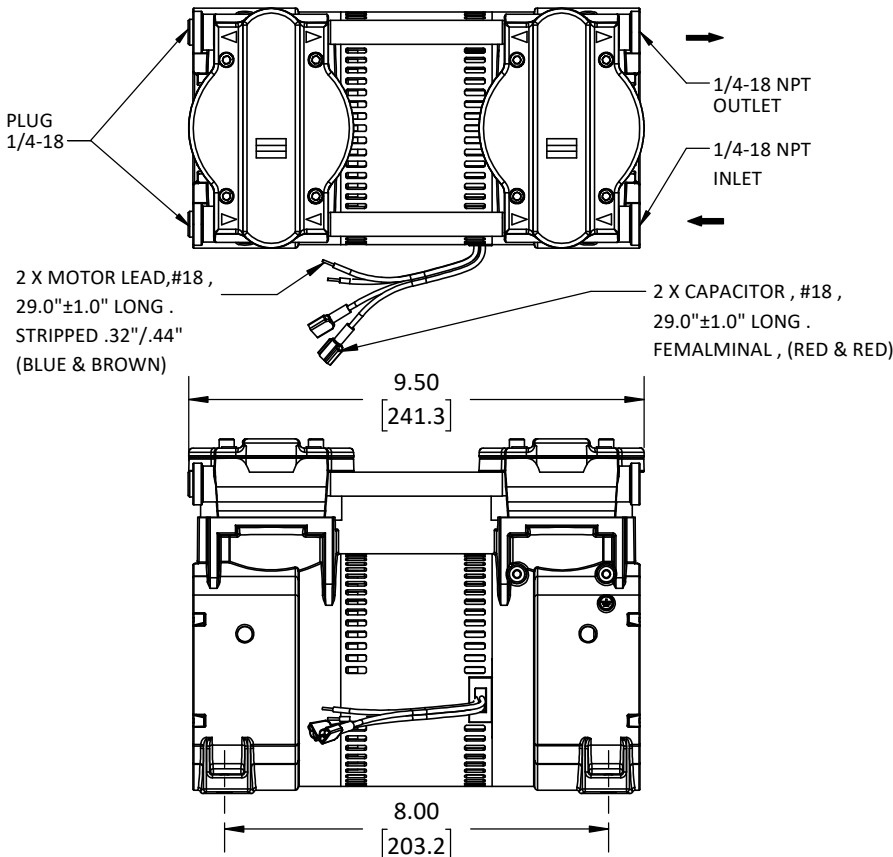
PRODUCT PERFORMANCE(220V/50Hz)



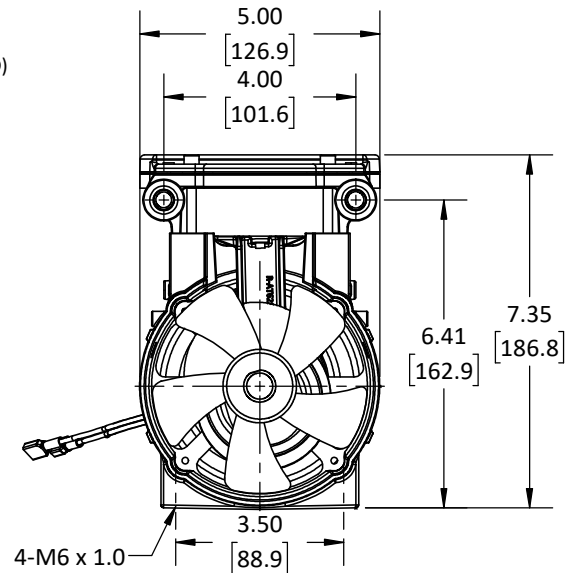
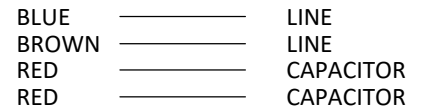
SHIPPED UNATTACHED



PRODUCT DIMENSIONS:



WIRING DIAGRAM 220V



GAST/JUN-AIR

GAST MFG, INC. & JUN-AIR
 A Unit of IDEX Corporation
 Post Office Box 97
 Benton Harbor, Michigan 49022 U.S.A.
 Ph: 269/926-6171
 Fax: 269/925-8288

IDEX Technology (Suzhou) Co., Ltd.
 A Unit of IDEX Corporation
 No. 51 TangBang Road, CaoHu Boulevard,
 Xiang Cheng District Suzhou, Jiangsu, China, 215126
 Ph: (0086) 512 62833000
 Fax: (0086) 512 62833288

PART NUMBER: RTD008C
REVISION: C

产品说明:

型号	电压 (仅用于单相)	Hz	转速	功率		净重		电流	电容	
			RPM	HP	KW	lbs	kg	AMPS	mfd.	VOLTS
XR655-401-N472NX	AC 220	50	1400	1/2	0.38	20	9	2.7	17.5	450

噪音: <70dB(A)

环境温度: 0°C ~ +40°C

相对湿度: 20% - 80%

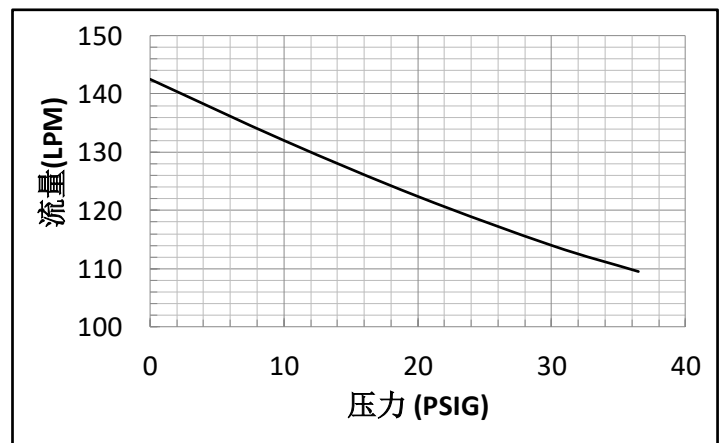
环境: 无尘环境

认证信息: TBD

备注:

1. 所有尺寸仅供参考;
2. 未指定尺寸单位: Inch/[mm];
3. 本技术参数如有更新恕不通知;
4. 请将泵装在一个外壳内, 否则出于安全考虑, 请安装风扇罩;
5. 维修包: K558;
6. 安全阀泄压压力: 43.5 ± 3 PSIG.

产品流量性能(220V/50Hz)



附件袋零件



产品尺寸:

