



GAST MANUFACTURING, INC.  
 A Unit of IDEX Corporation  
 Post Office Box 97  
 Benton Harbor, Michigan  
 Ph: 269/926-6171  
 Fax: 269/923-6286

PART NO.

RTD965

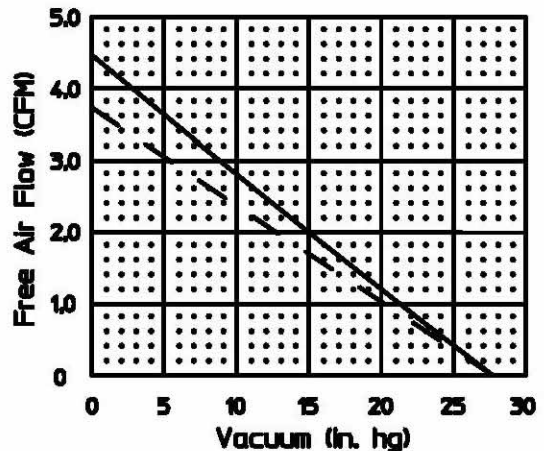
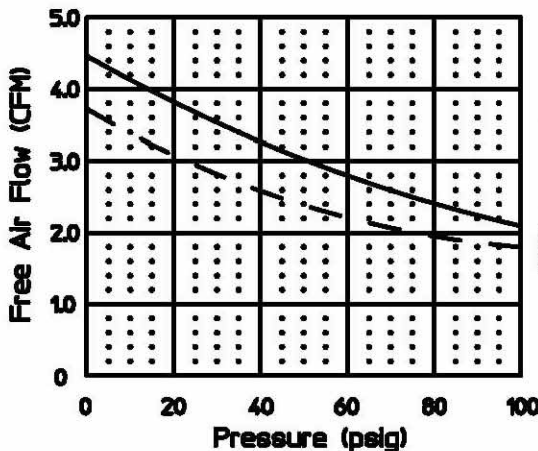
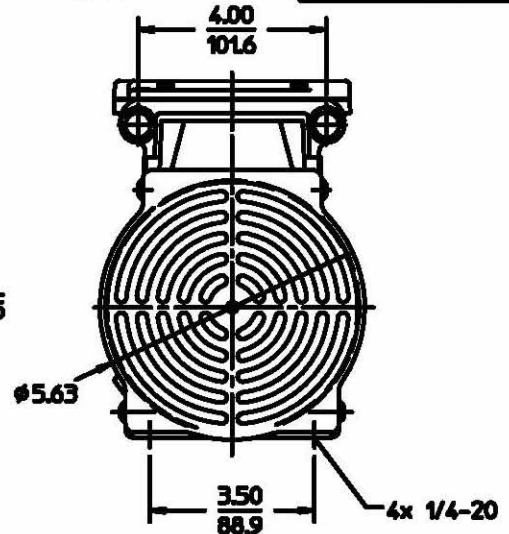
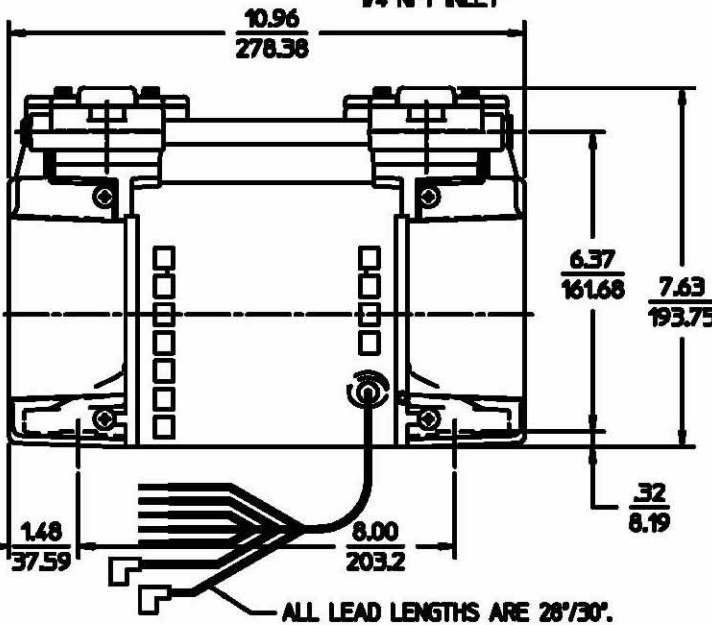
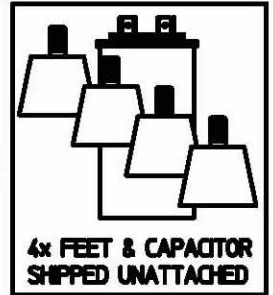
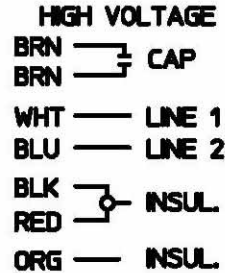
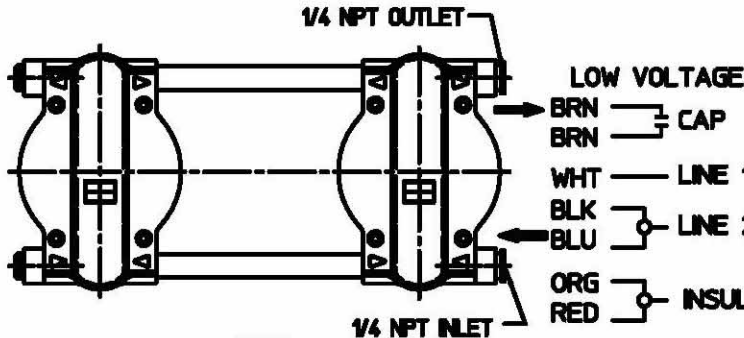
REV.

B

**NOTES:**

1. ALL DIMENSIONS ARE FOR REFERENCE USE ONLY.
2. PRODUCT DIMENSIONS: U.S. IMPERIAL (Inches) METRIC (mm).
3. \* - TECHNICAL DATA SUBJECT TO CHANGE WITHOUT NOTICE.
4. INSTALLATION: THIS PUMP MUST BE INSTALLED IN AN ENCLOSURE.
5. INCLUDES AN ELECTRICAL PARTS KIT, AND A CAPACITOR MTG KIT.

SOUND LEVEL	Less Than 70 dBA)
NORMAL AMBIENT	+5 degC - +40 degC
RELATIVE HUMIDITY	20% - 80%
ENVIRONMENT	Clean Dust Free
REGULATORY	cURus, CE



**Product Specifications**

Model Number	VOLTS (SINGLE PHASE ONLY)		Hz	RPM	HP	kW	Net Wt.		AMPS	CAPACITOR mfd. - volts
	115-120 / 230-240	110-120 / 220-240					lbs.	kg		
71R647-P112U-N570X	115-120 / 230-240	110-120 / 220-240	60	1725	3/4	.56	16	7.3	6.5/3.3	45 - 370
			50	1425					7.0/3.6	