



GAST MANUFACTURING, INC.
 A Unit of IDEX Corporation
 Post Office Box 97
 Benton Harbor, Michigan
 Ph: 269/926-6171
 Fax: 269/925-8288

PART NO:

RTD721B

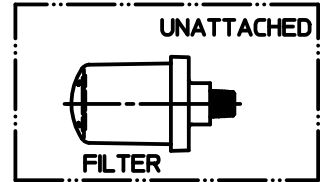
REV.

B

NOTES:

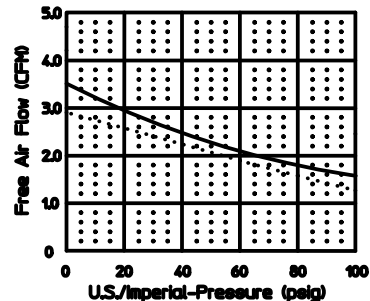
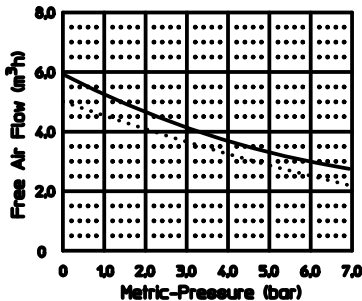
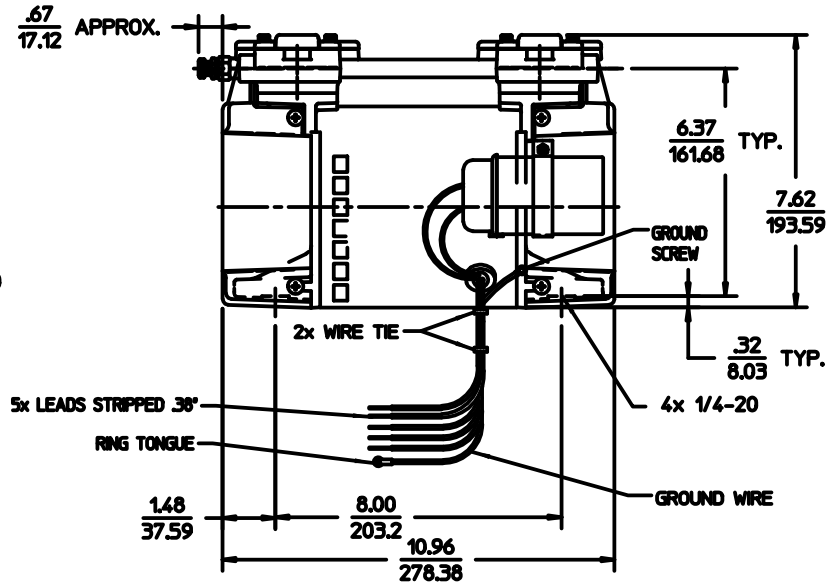
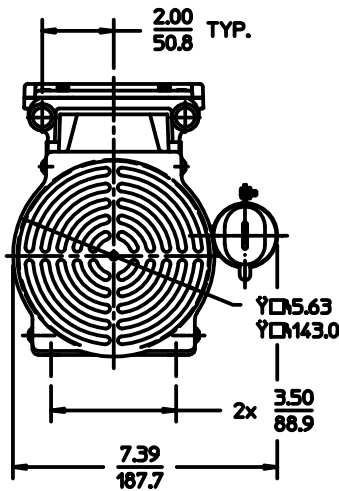
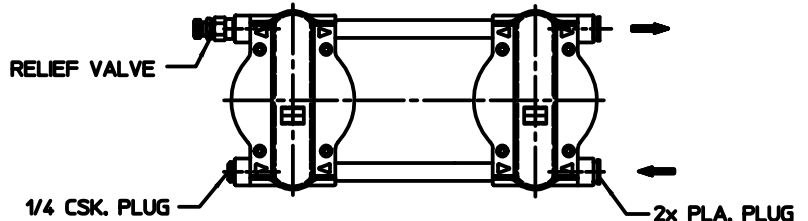
1. ALL DIMENSIONS ARE FOR REFERENCE USE ONLY.
2. PRODUCT DIMENSIONS: U.S. IMPERIAL (inches)/ METRIC (mm).
3. * - TECHNICAL DATA SUBJECT TO CHANGE WITHOUT NOTICE.
4. INSTALLATION: THIS PUMP MUST BE INSTALLED IN AN ENCLOSURE.
5. INCLUDES K981 ELEC. PARTS KIT.

SOUND LEVEL	Less Than 70 dB(A)
NORMAL AMBIENT	+5 degC - +40 degC
RELATIVE HUMIDITY	20% - 80%
ENVIRONMENT	Clean Dust Free
REGULATORY	cURus, CE



WIRING DIAGRAM

LOW VOLTAGE	HIGH VOLTAGE
BRN — CAP	BRN — CAP
WHT — LINE 1	WHT — LINE 1
BLK — LINE 2	BLU — LINE 2
BLU — INSUL	BLK — INSUL
ORG — INSUL	RED — INSUL
RED — INSUL	ORG — INSUL



Product Specifications

Model Number	MOTOR VOLTS (SINGLE PHASE ONLY)		HZ.	RPM	HP	kW	Net Wt.		AMPS	CAPACITOR mfd. - volts
	lbs.	kg								
71R642-P163H-N570X	115-120/230-240	60	1725	3/4	.56	16	7.3	5.2/2.7	45 - 370	
	110-120/220-240	50	1425	3/4	.56	16	7.3	6.4/3.3	45 - 370	