



GAST MANUFACTURING, INC.
 A Unit of IDEX Corporation
 Post Office Box 97
 Benton Harbor, Michigan
 Ph: 269/926-6171
 Fax: 269/925-8288

PART NO.

RTD960

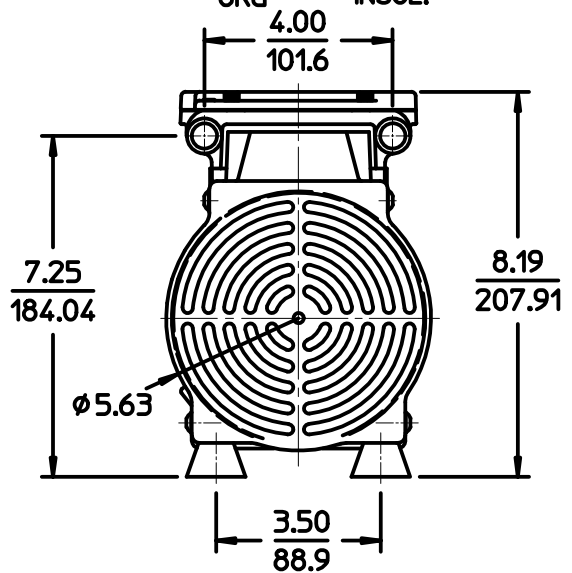
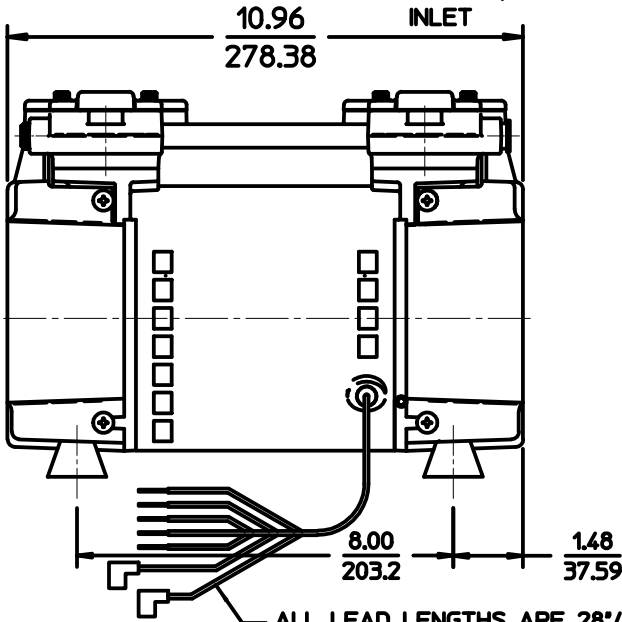
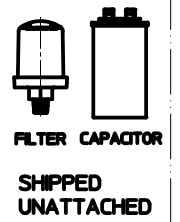
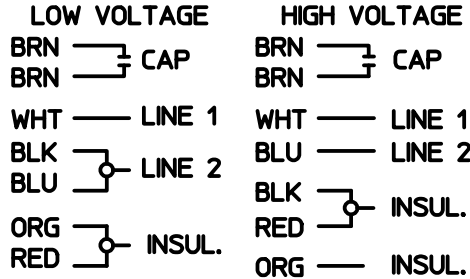
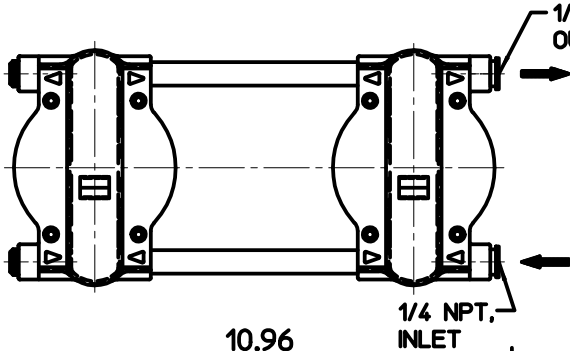
REV.

B

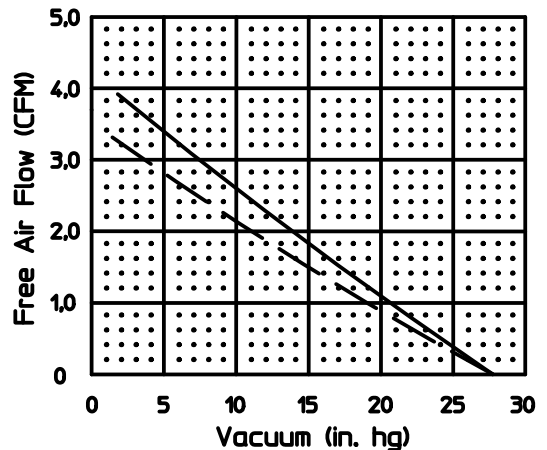
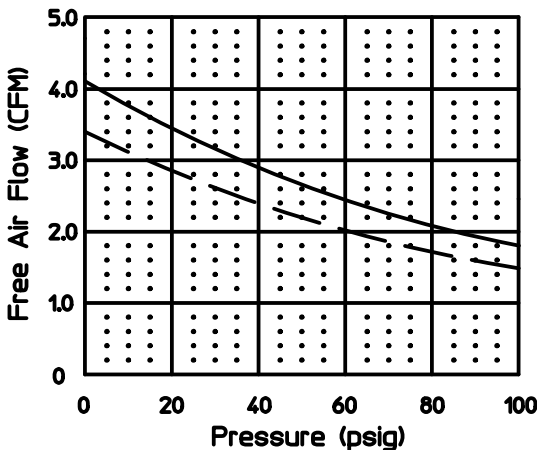
NOTES:

1. ALL DIMENSIONS ARE FOR REFERENCE USE ONLY.
2. PRODUCT DIMENSIONS: U.S. IMPERIAL (inches) METRIC (mm).
3. * - TECHNICAL DATA SUBJECT TO CHANGE WITHOUT NOTICE.
4. INSTALLATION: THIS PUMP MUST BE INSTALLED IN AN ENCLOSURE.
5. INCLUDES AN ELECTRICAL PARTS KIT, AND A CAPCITOR MTG. KIT.

SOUND LEVEL	Less Than 70 dB(A)
NORMAL AMBIENT	+5 degC - +40 degC
RELATIVE HUMIDITY	20% - 80%
ENVIRONMENT	Clean Dust Free
REGULATORY	cURus, CE



60Hz ———
 50Hz - - -



Product Specifications

Model Number	VOLTS (SINGLE PHASE ONLY)		Hz	RPM	HP	kW	Net Wt.		AMPS	CAPACITOR mfd. - volts
	lbs.	kg								
71R642-P163D-N570X	115-120 / 230-240	60	1725	3/4	.56	16	7.3	5.2/2.7	45 - 370	
	110-120 / 220-240	50	1425					6.4/3.3		