



GAST MANUFACTURING, INC.  
 A Unit of IDEX Corporation  
 Post Office Box 97  
 Benton Harbor, Michigan  
 Ph: 269/926-6171  
 Fax: 269/925-8288

PART NO.

RTD961

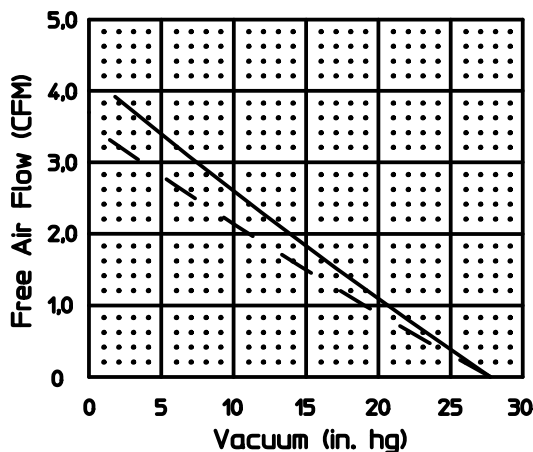
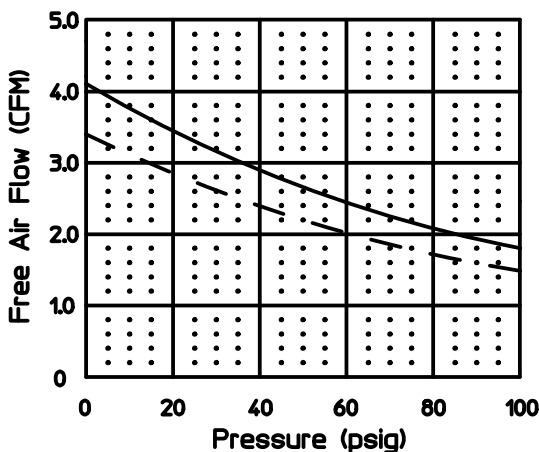
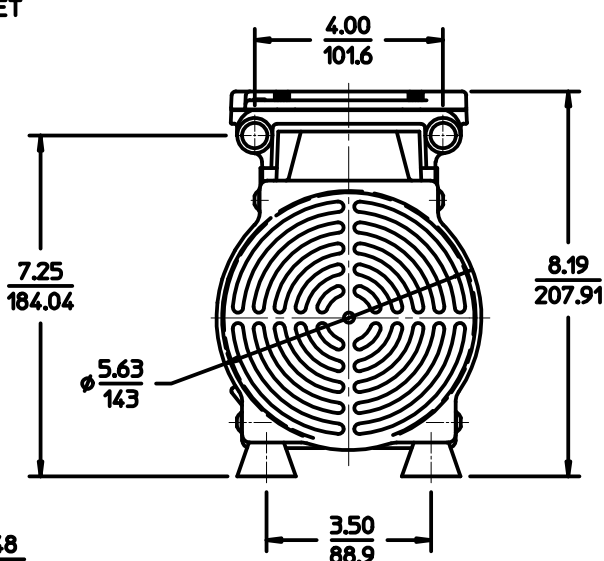
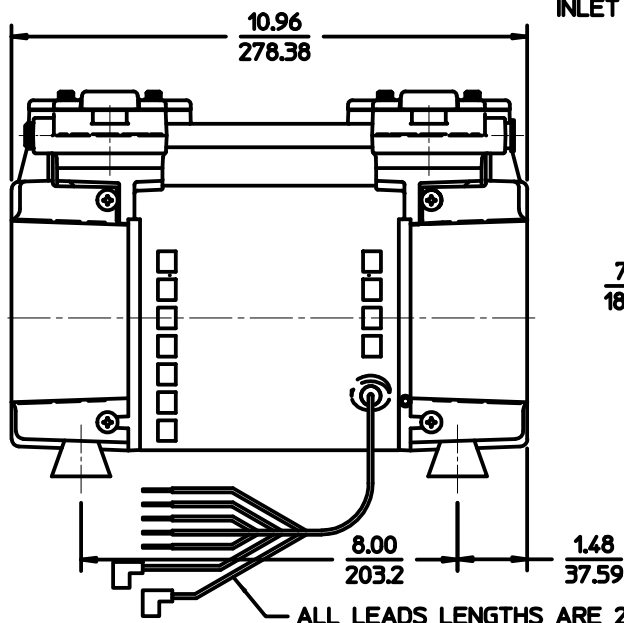
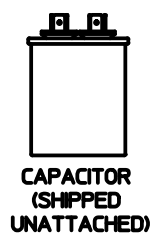
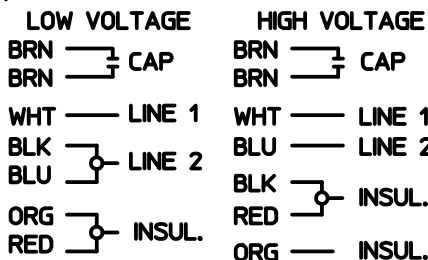
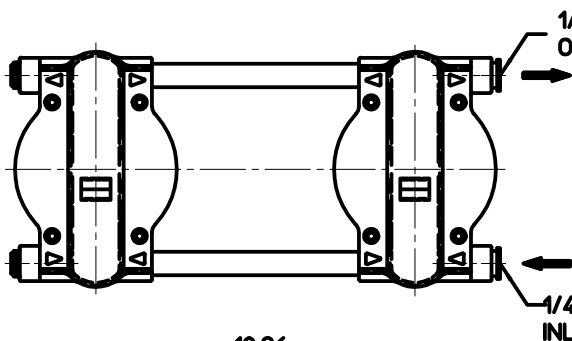
REV.

B

NOTES:

1. ALL DIMENSIONS ARE FOR REFERENCE USE ONLY.
2. PRODUCT DIMENSIONS: U.S. IMPERIAL (inches) METRIC (mm).
3. \* = TECHNICAL DATA SUBJECT TO CHANGE WITHOUT NOTICE.
4. INSTALLATION: THIS PUMP MUST BE INSTALLED IN AN ENCLOSURE.
5. INCLUDES AN ELECTRICAL PARTS KIT, AND A CAPACITOR MTG KIT.

SOUND LEVEL	Less Than 70 dB(A)
NORMAL AMBIENT	+5 degC - +40 degC
RELATIVE HUMIDITY	20% - 80%
ENVIRONMENT	Clean Dust Free
REGULATORY	CE



Product Specifications

Model Number	VOLTS (SINGLE PHASE ONLY)	Hz	RPM	HP	kW	Net Wt.		AMPS	CAPACITOR mfd. - volts
						lbs.	kg		
71R642-P112-N570X	100-120 / 200-240	60	1725	3/4	.56	16	7.3	5.3/2.8	45 - 370
	100-120 / 200-240	50	1425					5.7/2.8	