



GAST MANUFACTURING, INC.
 A Unit of DEX Corporation
 Post Office Box 97
 Benton Harbor, Michigan
 Ph: 269/926-6171
 Fax: 269/925-8288

PART NO.

RTD989

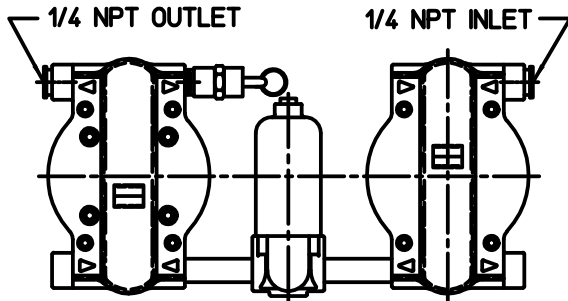
REV.

A

NOTES:

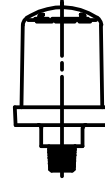
1. ALL DIMENSIONS ARE FOR REFERENCE USE ONLY.
2. PRODUCT DIMENSIONS: U.S. IMPERIAL (inches) METRIC (mm).
3. * - TECHNICAL DATA SUBJECT TO CHANGE WITHOUT NOTICE.
4. INSTALLATION: THIS PUMP MUST BE INSTALLED IN AN ENCLOSURE.
5. INCLUDES A K981 ELECTRICAL PARTS KIT.

SOUND LEVEL	Less Than 70 dB(A)
NORMAL AMBIENT	+5 degC - +40 degC
RELATIVE HUMIDITY	20% - 80%
ENVIRONMENT	Clean Dust Free
REGULATORY	cURus, CE

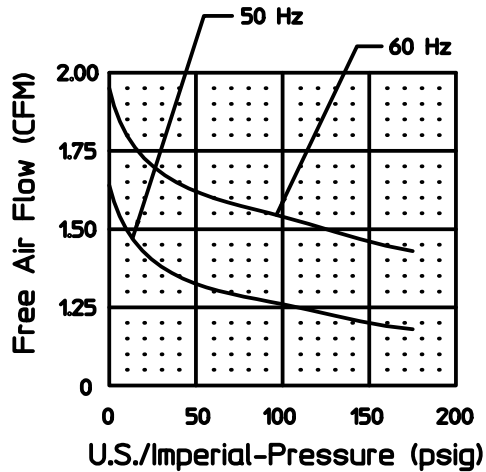
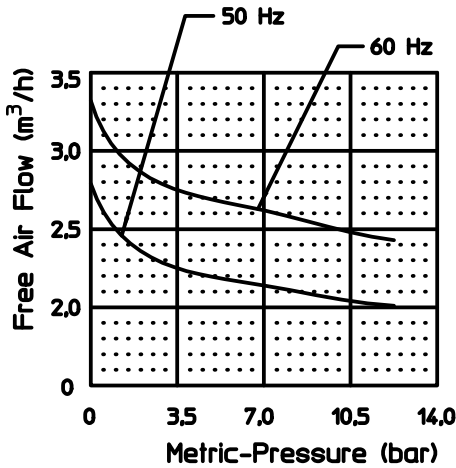
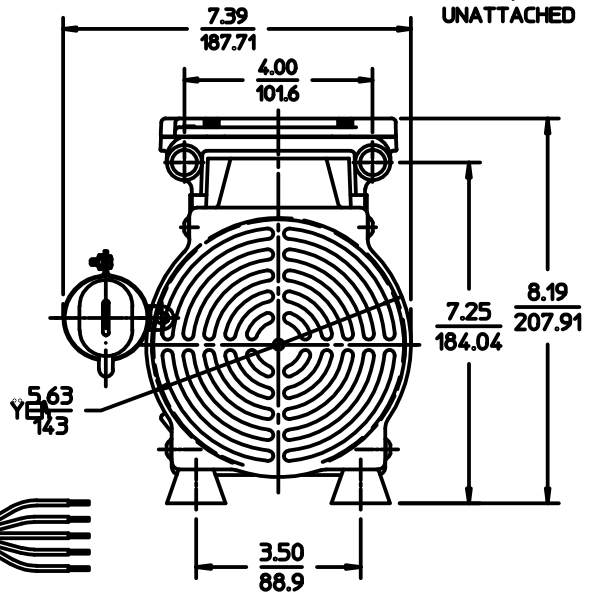
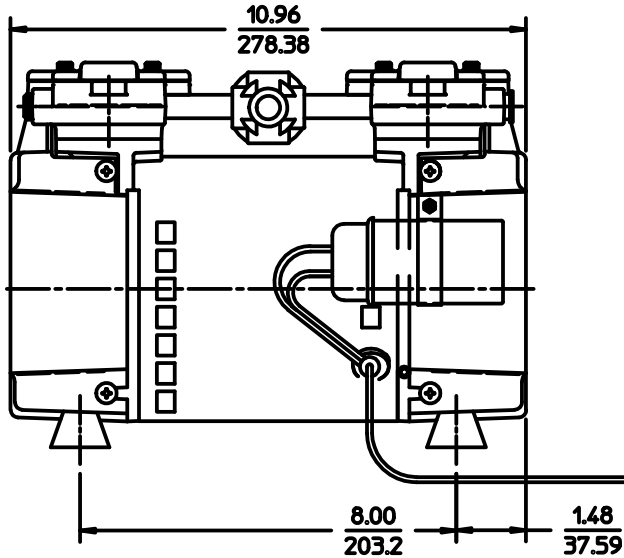


WIRING DIAGRAM

LOW VOLTAGE	HIGH VOLTAGE
BRN — CAP	BRN — CAP
WHT — LINE 1	WHT — LINE 1
BLK — LINE 2	BLU — LINE 2
BLU — INSUL	BLK — INSUL
ORG — INSUL	RED — INSUL
RED — INSUL	ORG — INSUL



FILTER, UNATTACHED



Product Specifications

Model Number	MOTOR VOLTS (SINGLE PHASE ONLY)		HZ.	RPM	HP	kW	Net Wt.		AMPS	CAPACITOR mfd. - volts
	lbs.	kg								
71R545-P315B-N570X	115-120/230-240		60	1725	3/4	.56	16	7.3	5.0/2.6	45 - 370
	110-120/220-240		50	1425	3/4	.56	16	7.3	6.2/3.3	45 - 370