



GAST MANUFACTURING, INC.
 A Unit of IDEX Corporation
 Post Office Box 97
 Benton Harbor, Michigan
 Ph: 269/926-6171
 Fax: 269/925-8288

PART NUMBER:

RTD738

REV.:

A

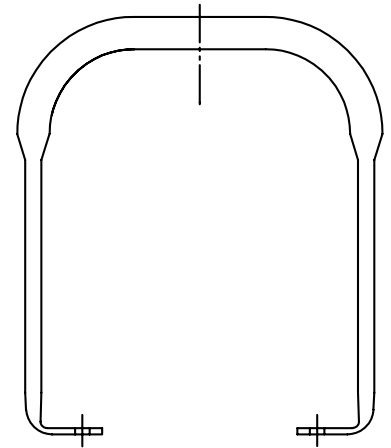
Product Specifications

Model Number	Motor	RPM		HP	kW	Net Wt.	
		60 cycle	50 cycle			lbs.	kg
1HAB-25-M100X	115	1725		1/6	0,12	17	7,7

NOTES:

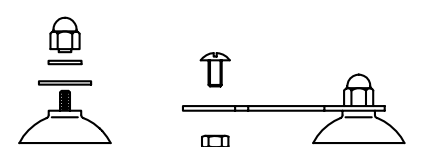
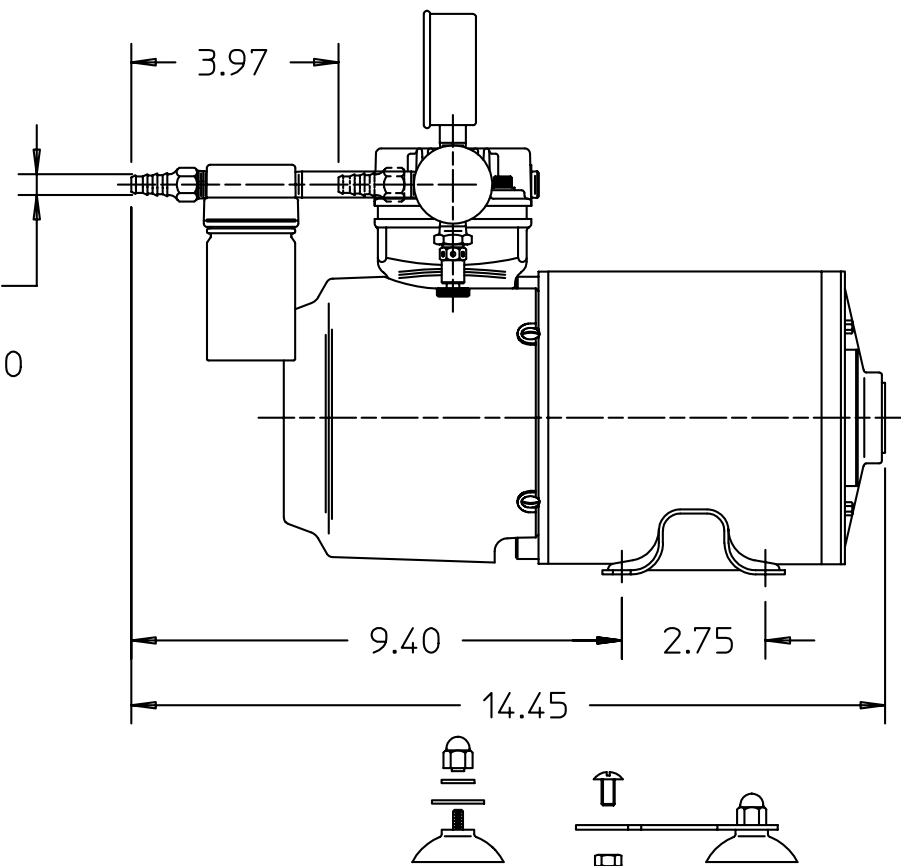
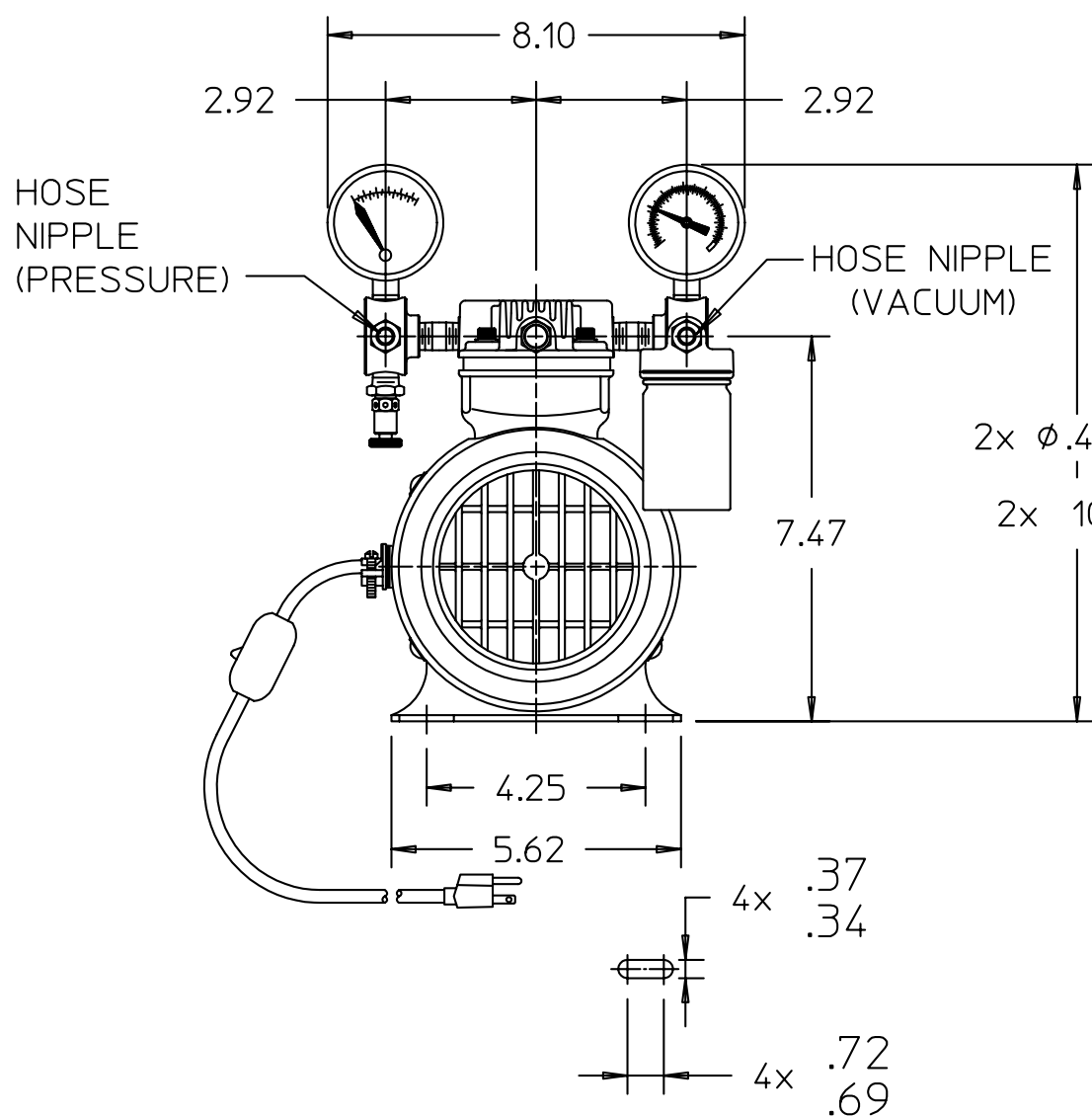
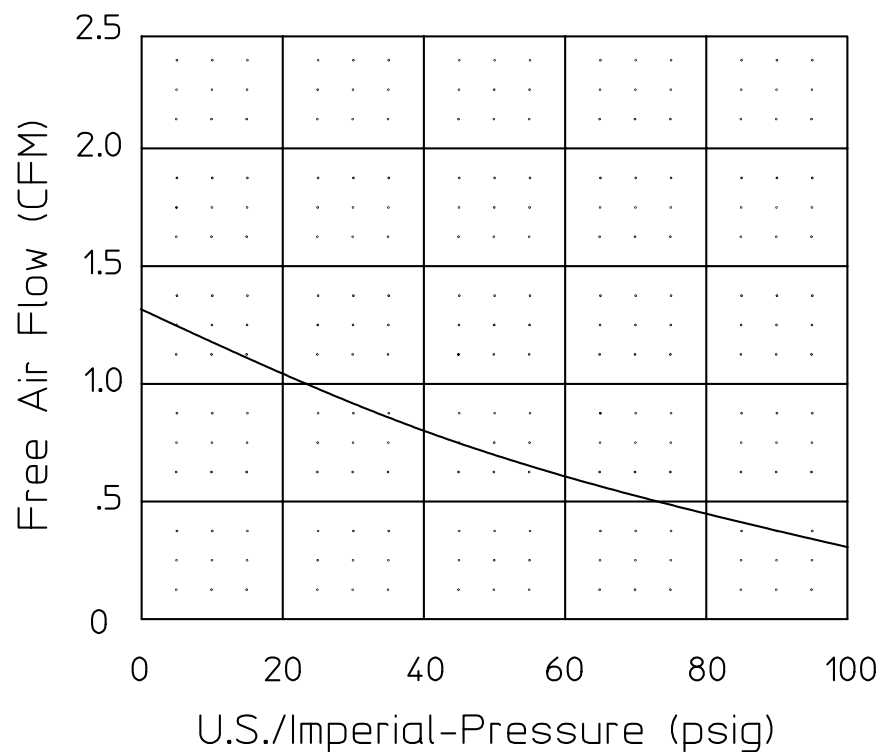
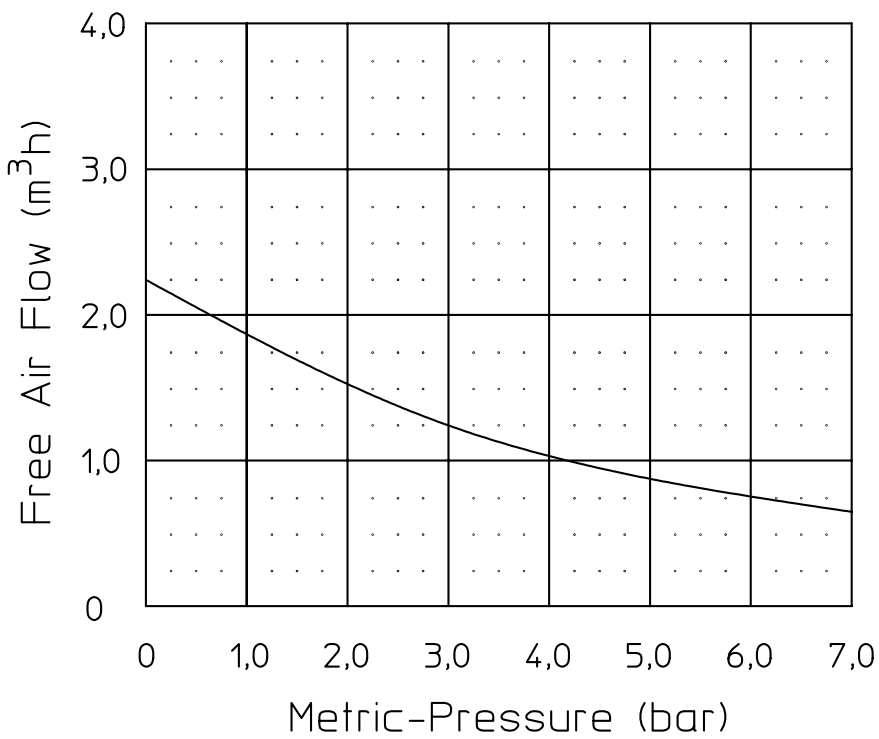
1. TECHNICAL DATA SUBJECT TO CHANGE WITHOUT NOTICE.
2. #18 GA. 10' LONG CORD, SWITCH & PLUG ASSEMBLY
 NEMA 5-15P PLUG & SINGLE POLE SWITCH

SOUND LEVEL LESS THAN 70 dB(A)
 NORMAL AMBIENT +5 degC - +40 degC
 RELATIVE HUMIDITY 20% - 80%
 ENVIRONMENT Clean Dust Free



HANDLE

PRODUCT PERFORMANCE



FOOT SUPPORT ASM.