

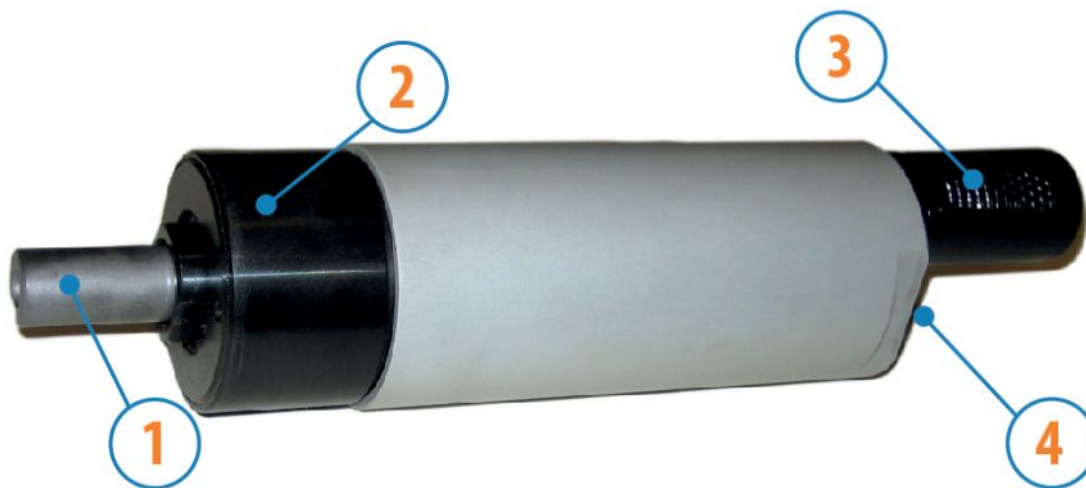
MOTORS WITH POWER UP TO 850 W

SP SERIES - Non reversible

WATT: 800 / Consumption: 1000 NI/1"

DATA SHEET

SP2D/SP2S



- 1. Cylindrical keyed shaft
- 2. Grip zone
- 3. Air inlet
- 4. Air exhaust

Technical sheet

Right/Left rotation - Model	SP2D/SP2S
Right/Left rotation - Code	8711258/8721258
Speed rpm - No-load	250
Speed rpm - at Max Power	125
Torque Nm - at Max Power	59,0
Torque Nm - Stall Torque	120,0

CHARACTERISTICS OF SHAPE

The normal delivery condition: cylindrical shaft and body as shown in the photo.

Optional:

Shaft

- threaded - indication /AF (left rotation excluded - subject to checks for reversible)

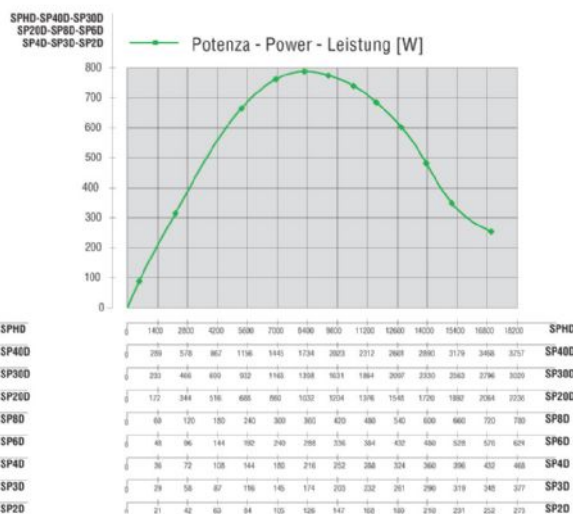
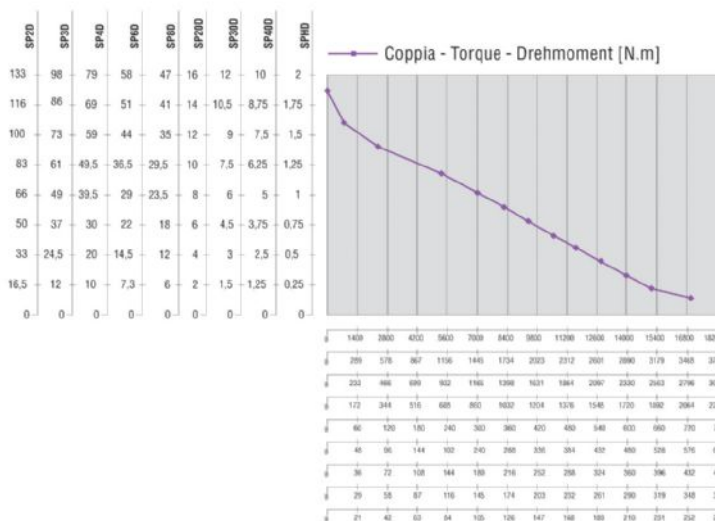
- conical - indication /AC

- with collets - indication /AP

Body

- with diamond flange coupling

PERFORMANCE FIGURES



MOTORS WITH POWER UP TO 850 W

SP SERIES - Non reversible

WATT: 800 / Consumption: 1000 NI/1"

DATA SHEET

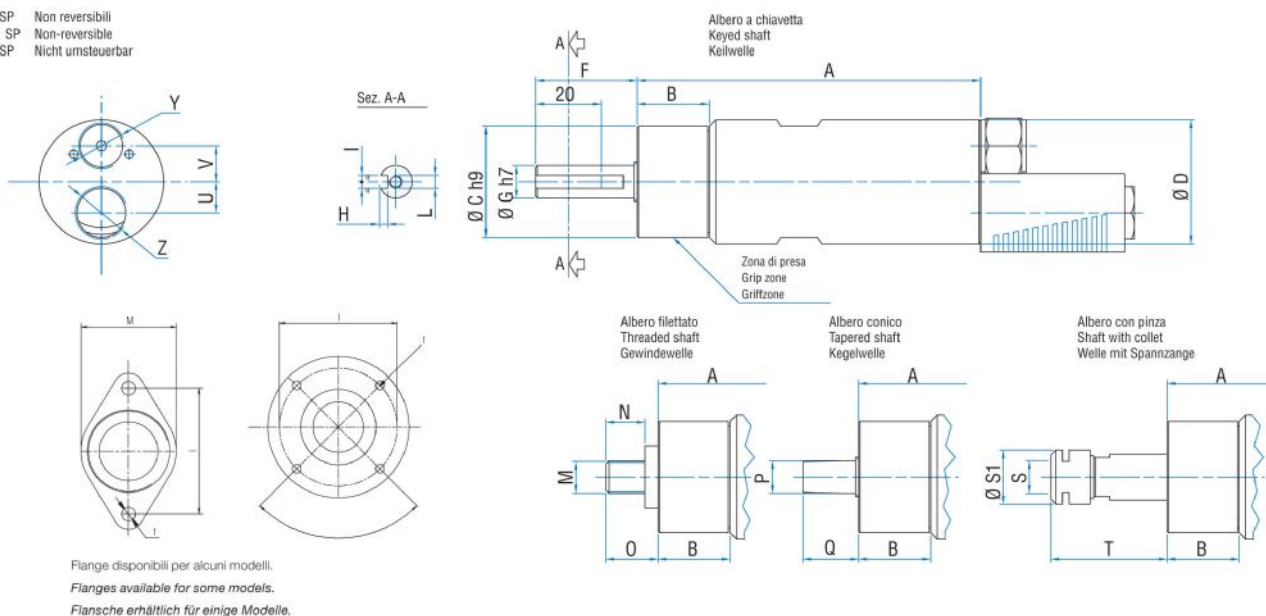
SP2D/SP2S

RADIAL AND AXIAL LOADS

Model	Code	Fr (N)	Fa (N)	Co (N)
SP2D/SP2S	8711258/ 8721258	2050	2350	4750

OVERALL DIMENSIONS

Serie SP Non reversibili
Series SP Non-reversible
Serie SP Nicht umsteuerbar



Model	Code	A	B	C	D	F	G	H	I	L	M	N	O	P	Q	S	S
SP2D	8711258	174	59	48	50	31,5	14	3	5	M6	1/2"x20UNF	16	20,5	B12	26	ER16	2